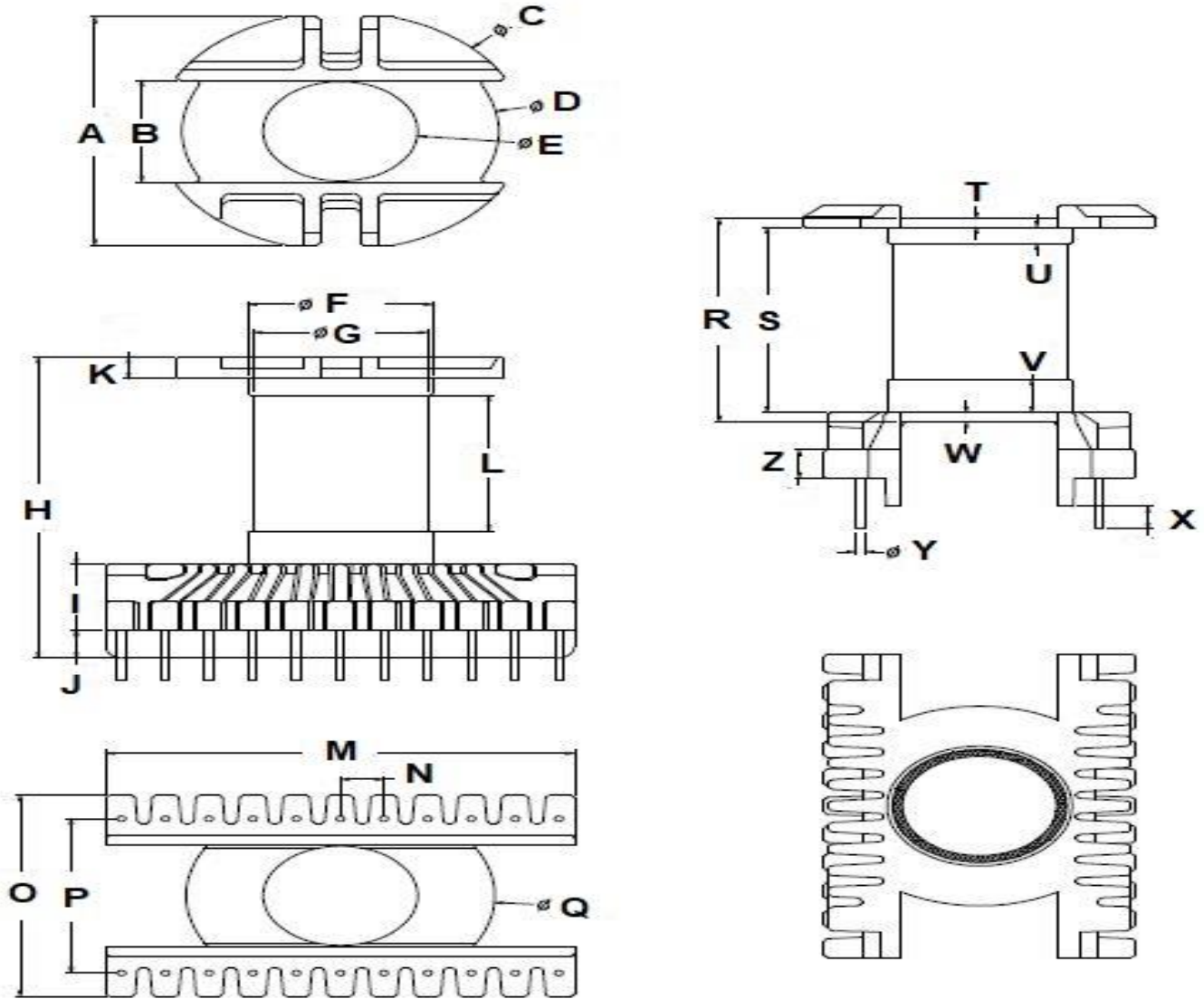


Technical Data Sheet RoHS Compliant Product
ETD49 Bobbin (Vertical)



Product Specifications:

| Geometry | A | B | C | D | E | F | G | H | I | J | K | L | M | N | O | P | Q | R | S | T | U | V | W | X | Y | Z |
|---------------|-------|-------|-------|-------|-------|-------|-------|-------|-------|------|------|-------|-------|------|-------|-------|-------|-------|-------|------|------|------|------|------|------|------|
| ETD49*25*16 V | 40.40 | 18.00 | 42.20 | 36.00 | 17.70 | 21.20 | 20.00 | 53.20 | 11.60 | 5.00 | 3.80 | 24.00 | 53.60 | 5.00 | 35.60 | 27.50 | 35.30 | 35.90 | 32.80 | 1.50 | 2.90 | 5.90 | 1.60 | 4.50 | 1.00 | 5.00 |

| | | | |
|-------------------|--|-------------------------|------------------------|
| ETD Bobbin | Material: Phenolic | Scale: | Angle: ±1° ▲ |
| | Pin Material: CP Wire | Unit: mm | Document Rev: 0 |
| | Pin Pitch Tolerance: ±0.20mm | UL REQ: UL 94V-0 | |
| | Dimensions Tolerances: 0~4mm: ±0.1mm, 4~16mm: ±0.2mm, 16~63mm: ±0.3mm | | |